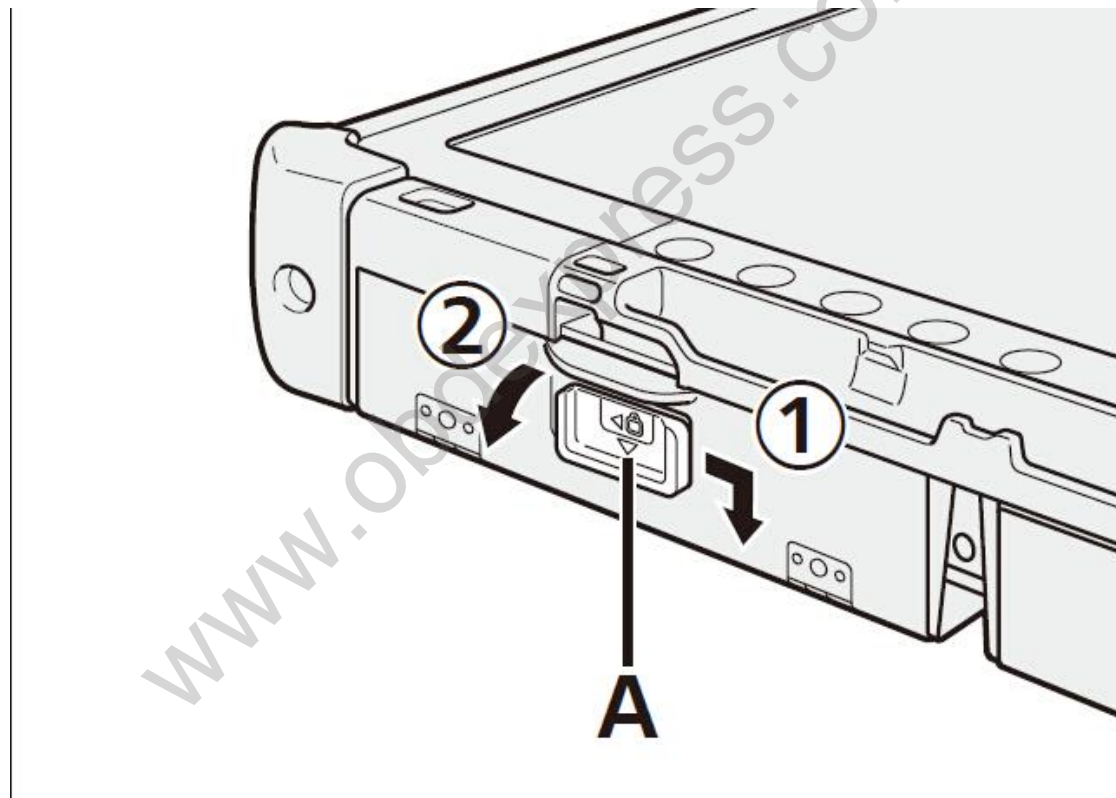


How to install Xentry Connect C5 battery pack

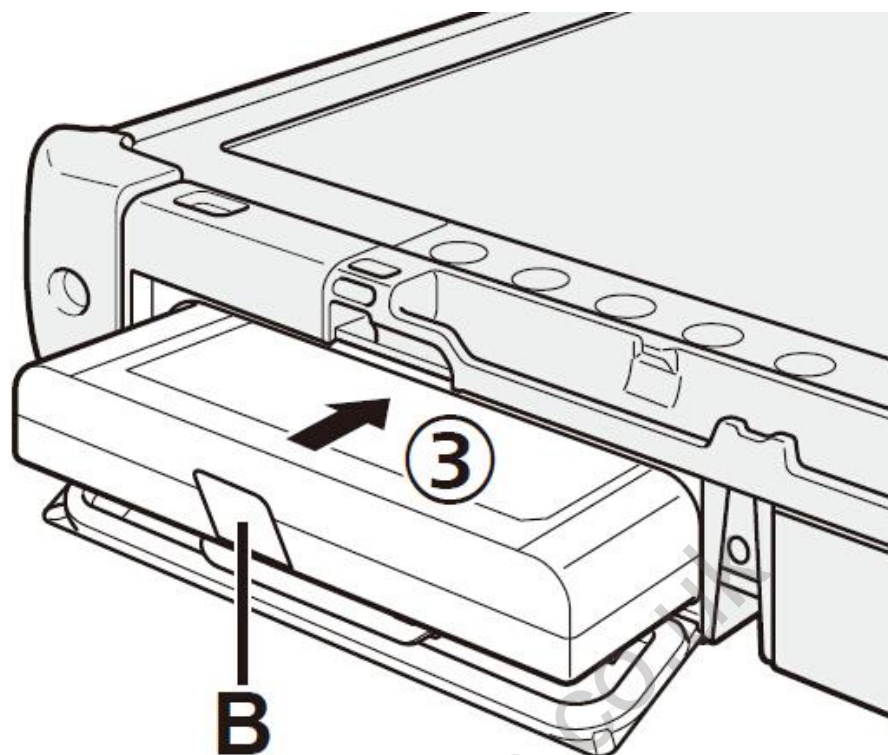
Xentry SD Connect C5 manual: How to insert battery pack to C5 unit

Step 1: Slide the latch (A) in the direction of the arrow.

Step 2: Open the cover.

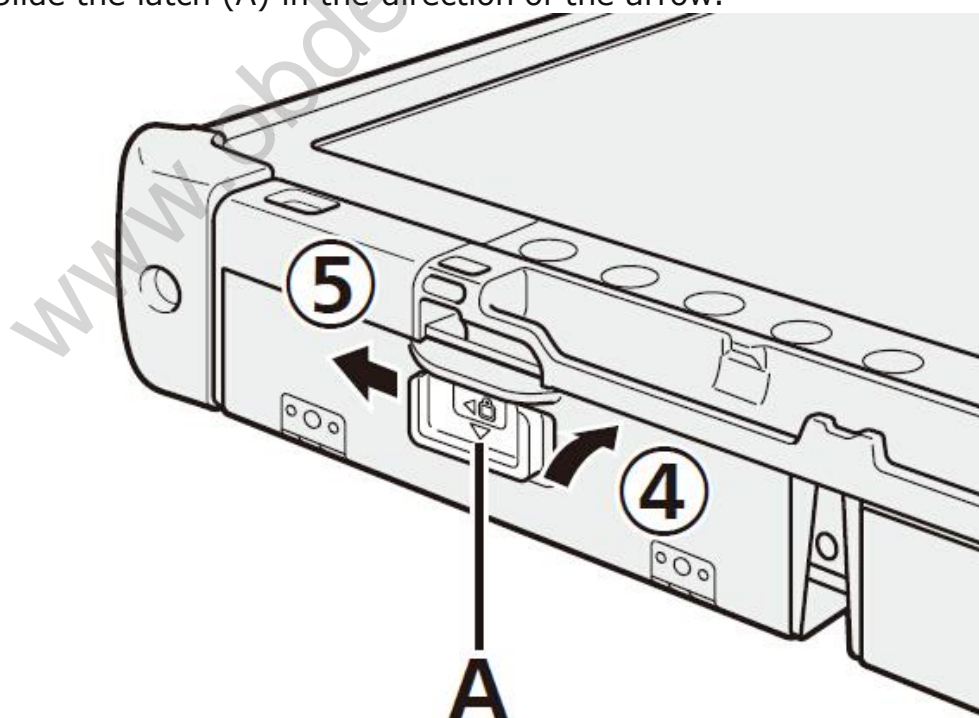


Step 3: Insert the battery pack until it securely fits the connector.



Step 4: Close the cover until it clicks.

Step 5: Slide the latch (A) in the direction of the arrow.



To remove the battery pack

In step 3 above, pull the tab (B) of the battery pack.

CAUTION

Make sure the latch is securely locked. Otherwise the battery pack may fall

when you carry the computer.

NOTE

Note that the computer consumes electricity even when the computer power is

off. If the battery pack is fully charged, the battery will fully discharge in the following period of time:

- When power is off: Approx. 9 weeks
- In sleep ()/standby (): Approx. 4 days
- In hibernation: Approx. 8 days

If "Wake Up from LAN" is disabled, the period of time in sleep will become slightly longer, and the period of time in hibernation will become about the same

as during power-off.

When the DC plug is not connected to the computer, disconnect the AC cord

from your AC wall outlet. Power is consumed simply by having the AC adaptor

plugged into an electrical outlet.